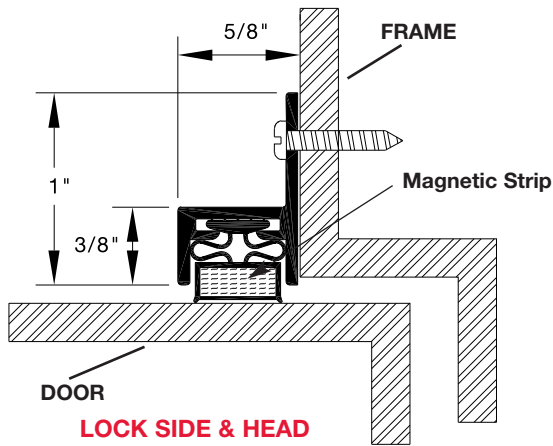


Finish Designations:
A Aluminum mill finish

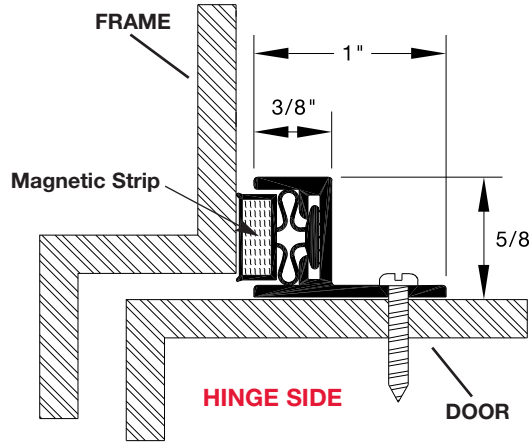
B Architectural brass
C Clear anodized aluminum

D Dark bronze anodized aluminum
G Gold anodized aluminum

Magnetic Weatherstrip



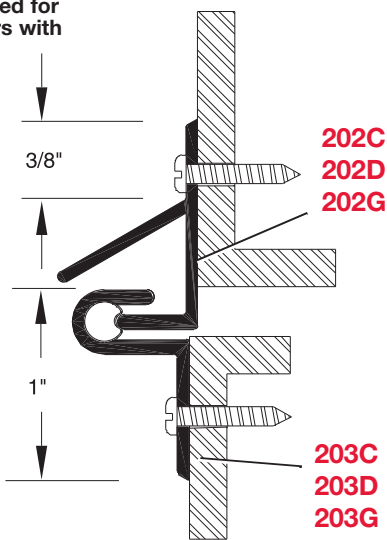
574C
574D
574G



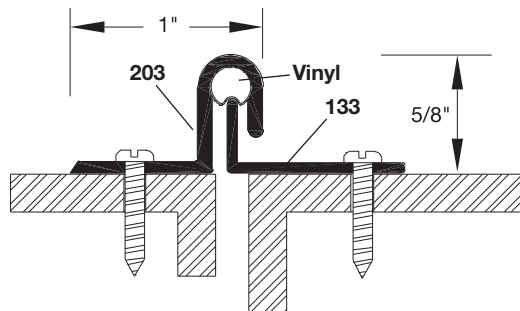
Available sizes: 36", 48", 84" and 96"

Interlocking Weatherstrip

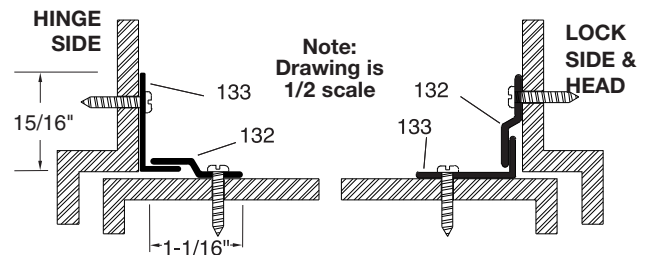
This equipment is ideally suited for metal doors with transoms.



133C
133D
133G
203C
203D
203G

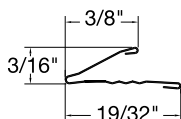


132C
132D
132G
133C
133D
133G

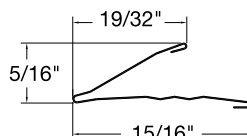


Spring Bronze

340
Bronze Lockstrip 8"



350
(.006" Bronze)



DKB3

Sets include (2) 4 ft. and (3) 3 ft. pieces of 350 spring bronze with a lockstrip and nails. For 36" x 84" door.