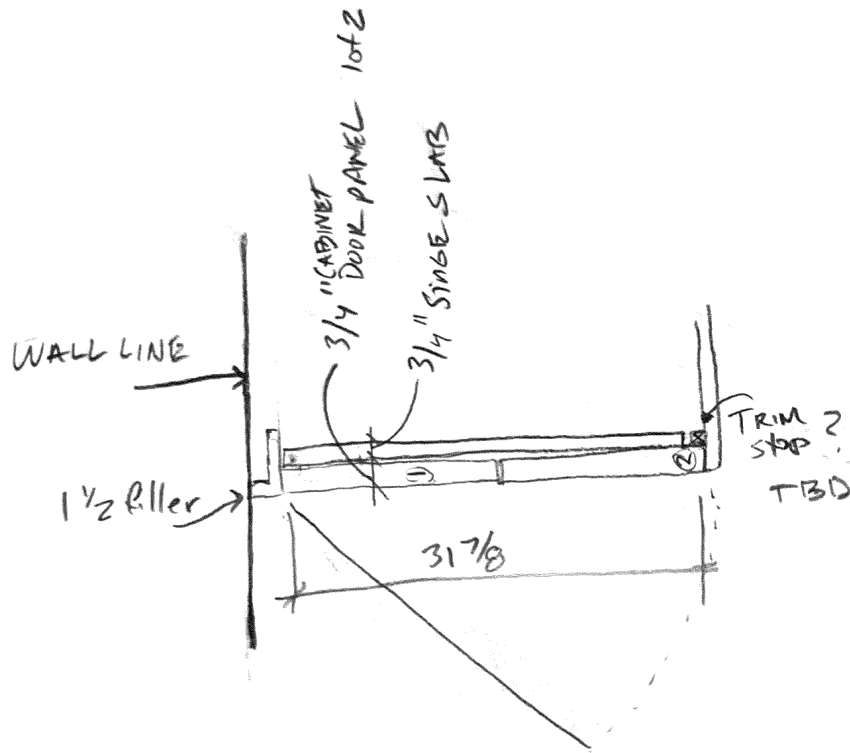


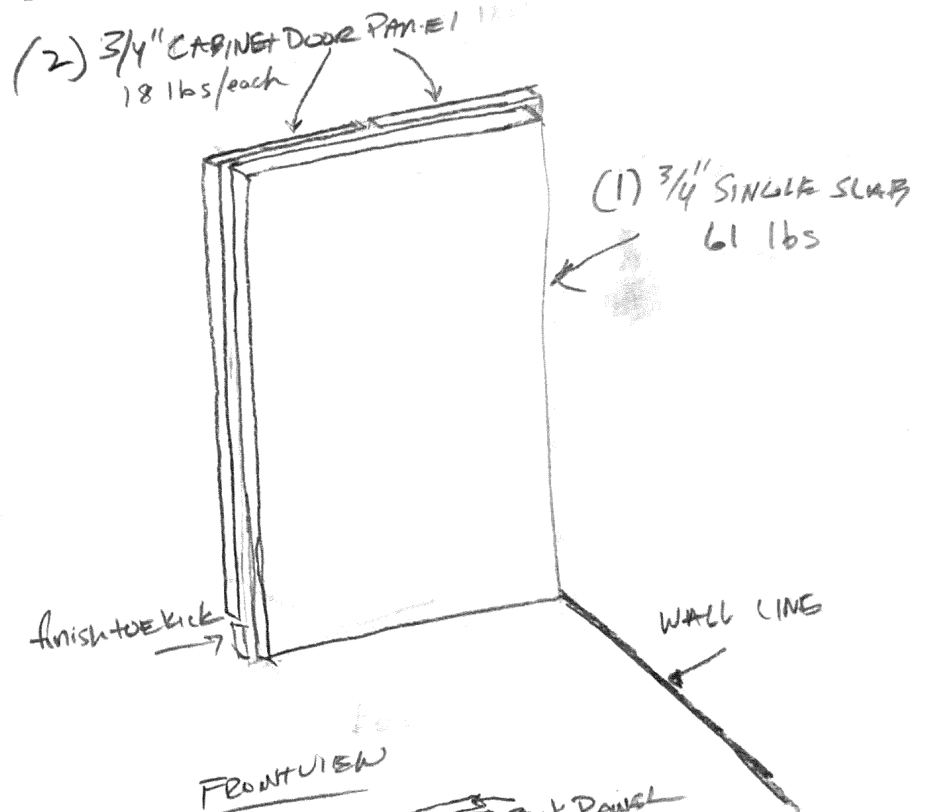
165 - 97 total

61 - Back Panel
18 - Cabinet Dr
18 - Cabinet Dr

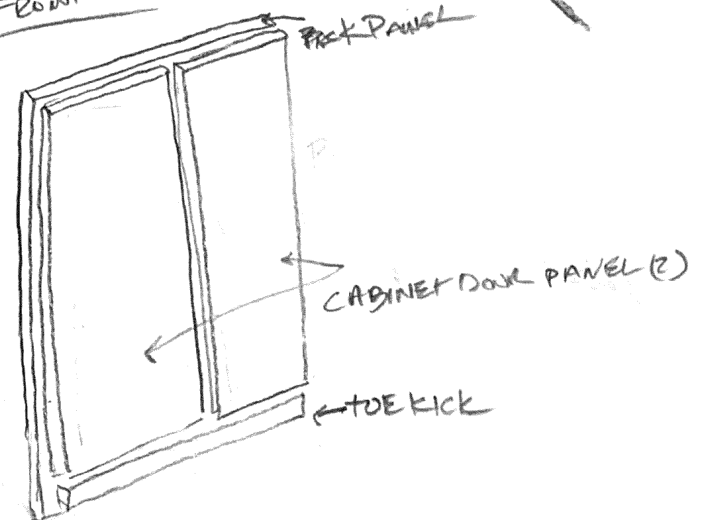
Plan



Back View



Front View



31 7/8" - filler to filler

31 3/4" x 83 7/8" - Back Panel

15 13/16 x 79 1/4" - (2) Cabinet Door Panel

31 3/4 x 3" +/- - toe kick