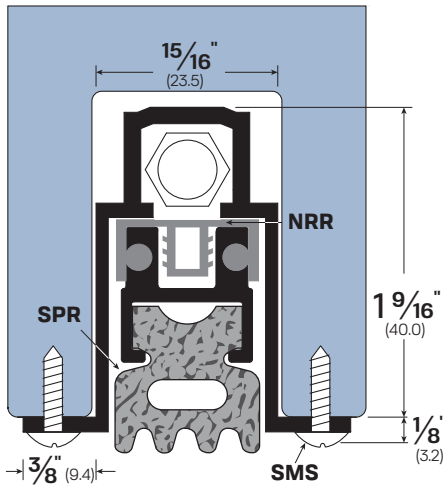


#7063



CONCEALED AUTOMATIC DOOR BOTTOM

FINISHES

7063CA Clear Anodized Aluminum

OPTIONS

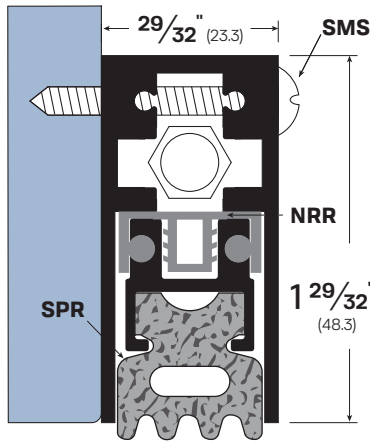
- For **sliding doors**: use -SL
- For **pivot doors**: use -PV
- For easy installation for **concealed units**: use -749
- For an electrical actuator use -EA
- When installed at the head of the door use -TD
- For **concealed heavy duty units** with up to 1-1/2" drop: use -EDP
- Can be made any size from 12" to 144".

NOTES

- Unit comes with 1 pair of End Caps - Part **#4063EC-CA** or **#4063EC-DB**
- Up to 1" drop / adjustable
- Panhead screw **#6 x 1/2"** supplied
- Replacement SPR - Part **#4363SPR**

LEGACY
7063
NGP
423N
PEMKO
434ARL
ZERO
360AA

#7163



SURFACE AUTOMATIC DOOR BOTTOM

FINISHES

7163CA Clear Anodized Aluminum
 7163DB Dark Bronze Anodized Aluminum

OPTIONS

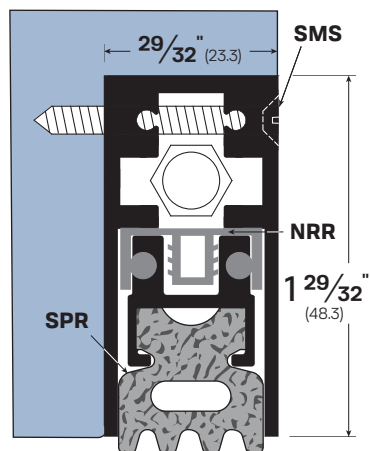
- For **sliding doors**: use -SL
- For **pivot doors**: use -PV
- For an electrical actuator use -EA
- When installed at the head of the door use -TD
- For **concealed heavy duty units** with up to 1-1/2" drop: use -EDP
- Can be made any size from 12" to 144"

NOTES

- Unit comes with 1 pair of End Caps - Part **#4163EC-CA** or **#4163EC-DB**
- Up to 1" drop / adjustable
- Panhead screw **#8 x 1-1/2"** supplied
- Replacement SPR - Part **#4363SPR**

LEGACY
7163
NGP
420N
PEMKO
430ARL
ZERO
361AA

#7263



SEMI-MORTISED AUTOMATIC DOOR BOTTOM

FINISHES

7263CA Clear Anodized Aluminum
 7263DB Dark Bronze Anodized Aluminum

OPTIONS

- For **sliding doors**: use -SL
- For **pivot doors**: use -PV
- For easy installation for **concealed units**: use -749
- For an electrical actuator use -EA
- When installed at the head of the door use -TD
- For **concealed heavy duty units** with up to 1-1/2" drop: use -EDP
- Can be made any size from 12" to 144"

NOTES

- Unit comes with 1 pair of End Caps - Part **#4163EC-CA** or **#4163EC-DB**
- Up to 1" drop / adjustable
- Countersunk screw **#8 x 1-1/2"** supplied
- Replacement SPR - Part **#4363SPR**

LEGACY
7263
NGP
420NHM
PEMKO
430ARL
ZERO
362AA