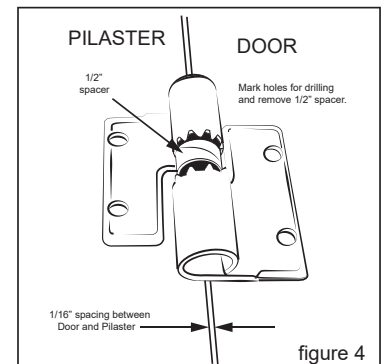
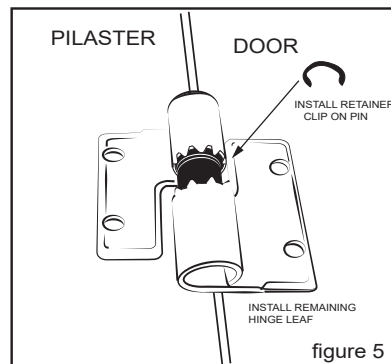
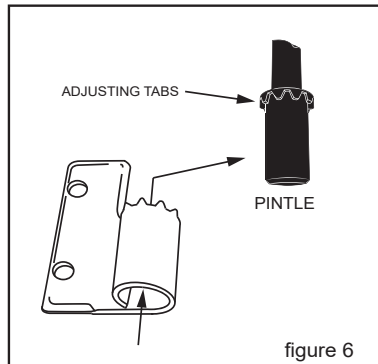
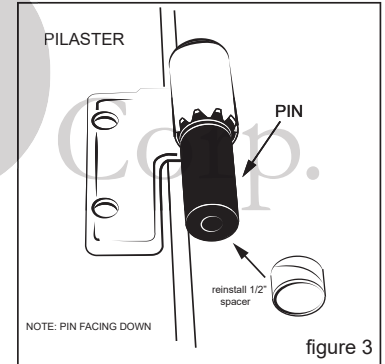
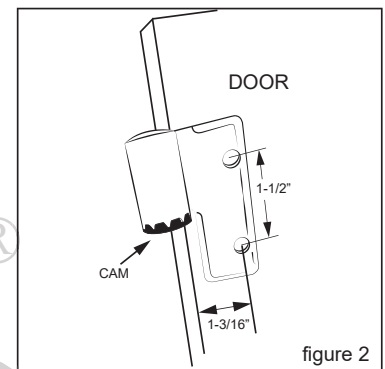
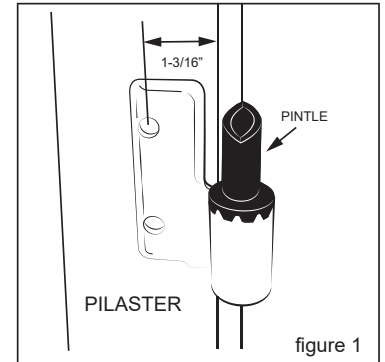


# INSTALLATION INSTRUCTIONS

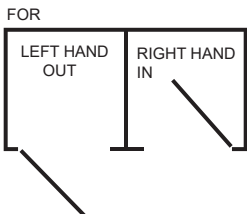
## 7011,7013, 112911 (RH-IN/LH-OUT SURFACE MOUNTED HINGES)

*Note: Before beginning the install make sure that pilasters are plumb and level.*

1. Separate top hinge assembly and install the hinge with the pintle facing upward on the pilaster(post).  
(figure 1)
2. Install remaining leaf with cam on Door. (figure 2). Remember to leave a minimum of 1/16" spacing between the door and the pilaster.(figure 4)
3. Separate bottom assembly and install hinge with pin facing downward on the pilaster. Reinstall the 1/2" spacer back onto the pin.(figure 3)
4. With the door in the "rest" position (fully closed) put the last hinge leaf of the bottom assmeby back into position.(figure 4) Mark hole location for drilling, disassemble bottom hinge and remove 1/2" spacer. Check door and pilaster is plumb and level.
5. Install remaining hinge leaf and install retainer clip for pin.  
(figure 5)
6. To adjust door opening remove pintle from hinge leaf and turn to desired position by using the adjusting tabs, reinstall pintle.  
(figure 6). All hinges are pre-set to "0" degrees.



*Note: Hinges are for light-Duty installations..*



Copyright - 2019 Jacknob Corp. all rights reserved

All dimensions shown are approximate. Do not predrill or fabricate based on dimensions shown.

The manufacturer reserves the right to, and may from time to time, make changes in dimensions and designs.



★ 1 0 2 2 8 5 ★