



911513-00

VON DUPRIN®

Installation Instructions

GUARD-X™

Exit Alarm Lock



Unfold these instructions, remove backing strip, and stick instructions on door during installation.

Special Tools Required:

Drill bits: #7 and 1/8" dia.
1/4-20 tap
1-1/4" dia. hole saw

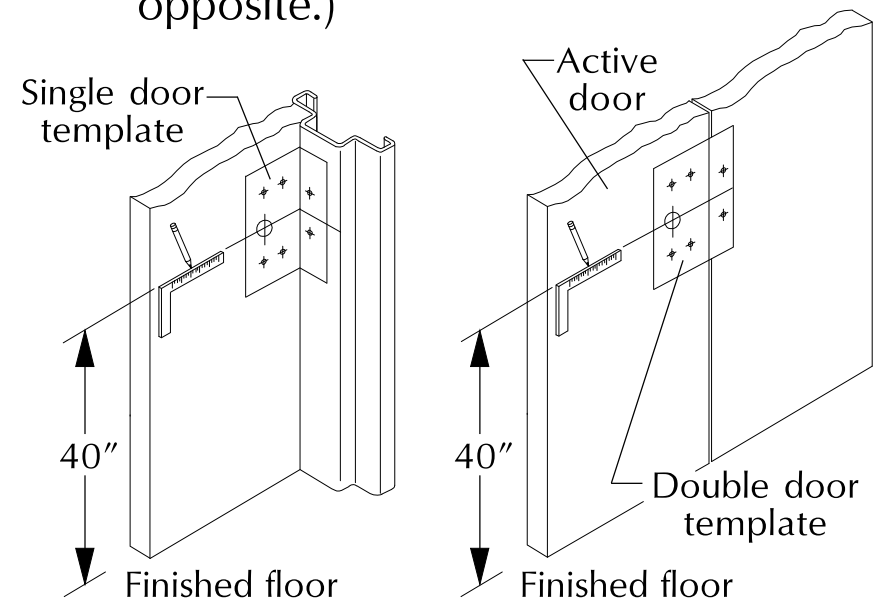
Customer Service

1-877-671-7011 www.allegion.com/us



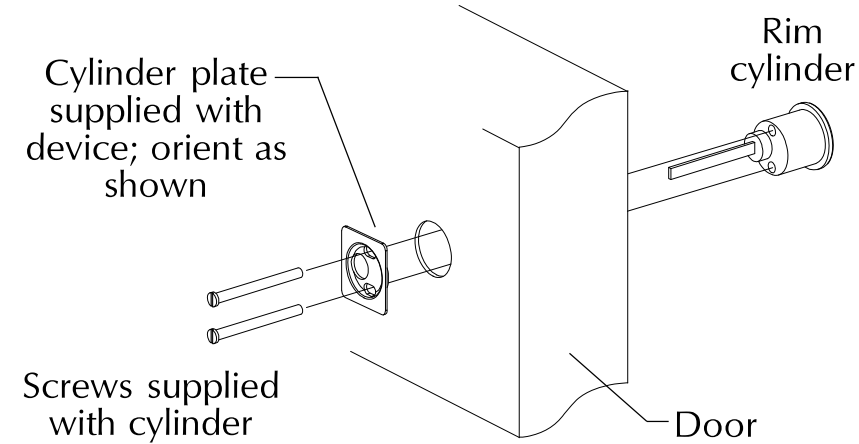
© Allegion 2014
Printed in U.S.A.
911513-00 Rev. 01/14-c

1 Apply template and prepare door per template. (RHR shown; LHR opposite.)

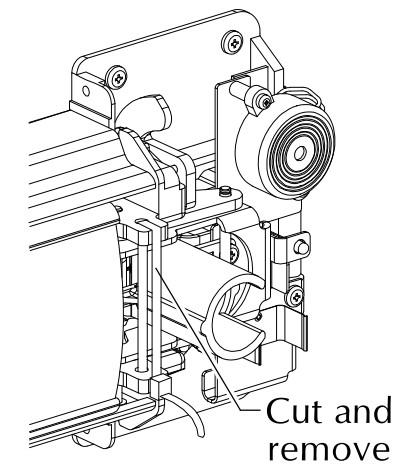


Skip Steps 2, 3, and 4 if no outside cylinder

2 Install rim cylinder (key removed). Cut down screws if necessary.

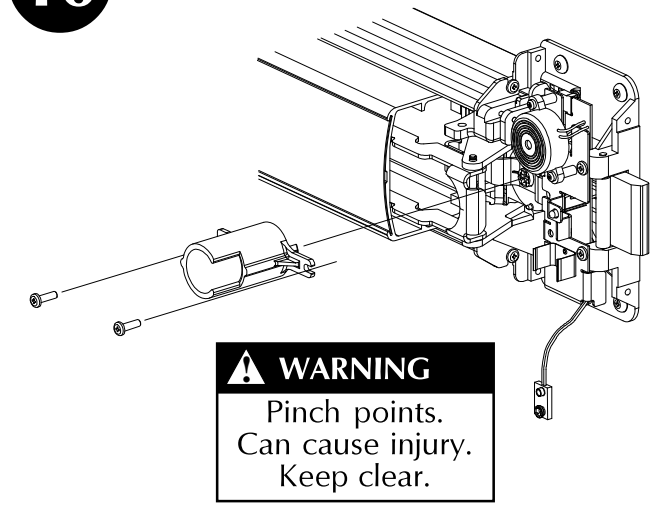


9 Cut and remove cable tie to release pushpad.



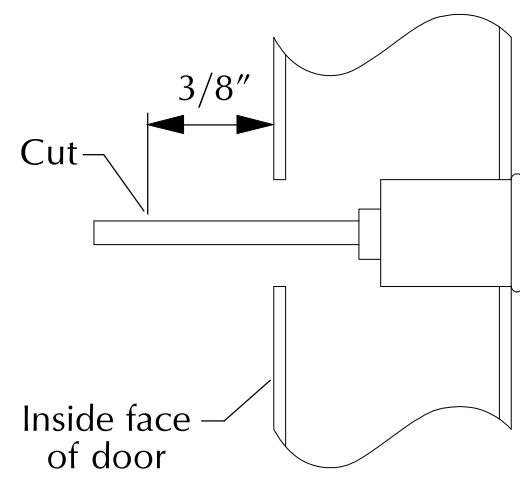
WARNING
Pinch points. Can cause injury if pushpad pressed with center case cover removed. Keep clear.

10 Remove cylinder bracket.

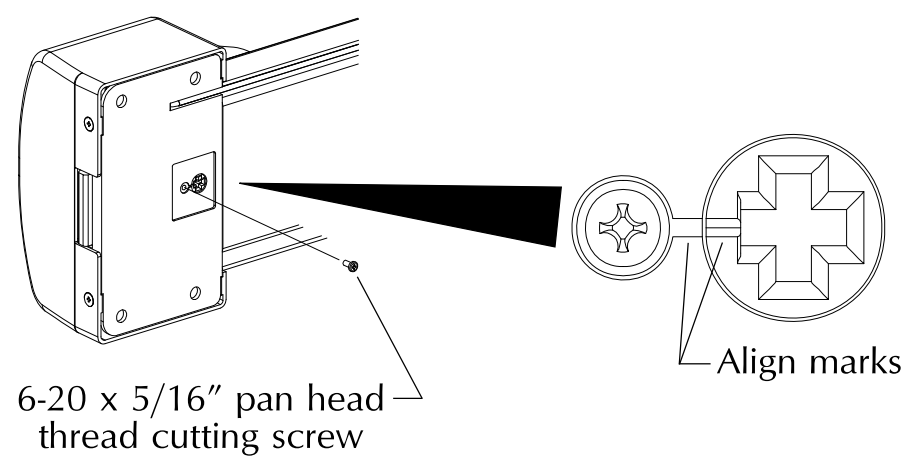


WARNING
Pinch points. Can cause injury. Keep clear.

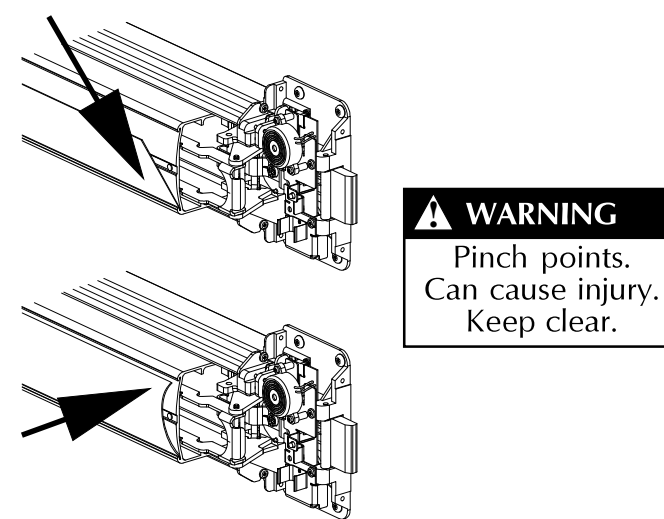
3 Cut cylinder tailpiece.



4 Remove screw. Use Phillips screwdriver to rotate cross slots so marks align.

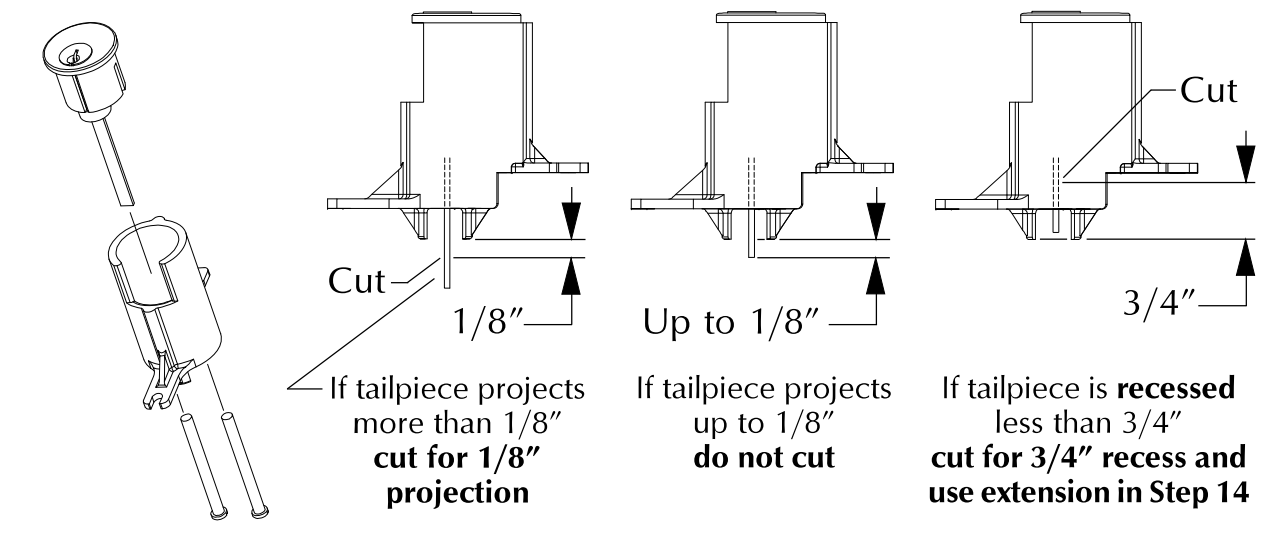


11 Peel backing from adhesive strips on sign. Install sign as shown.

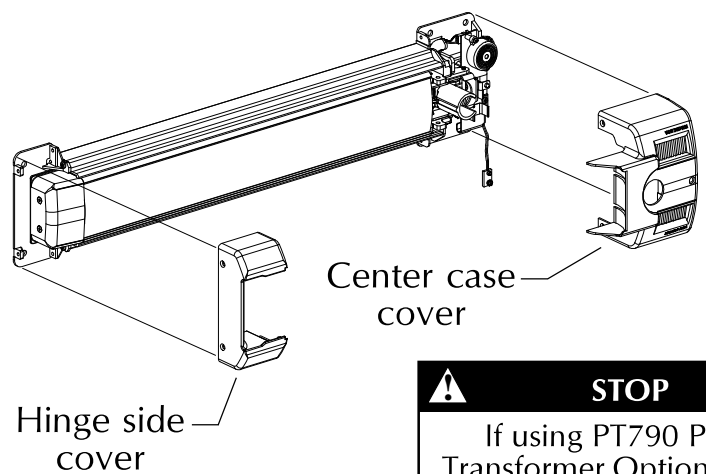


WARNING
Pinch points. Can cause injury. Keep clear.

12 Install cylinder in cylinder bracket. Cut cylinder tailpiece if necessary.



5 Remove cover screws and covers (shipped with one screw in each cover).



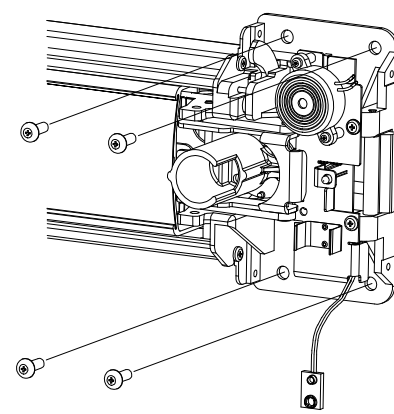
6 Mount center case to door. **Level device before tightening screws.**

NOTE
If using outside cylinder, make sure tailpiece engages cross slot on underside of device.

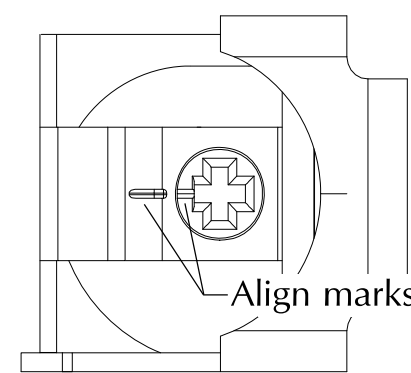
Metal door: 1/4-20 x 3/4" pan head machine screws

Wood door: 1/4-14 x 1" pan head sheet metal screws

NOTE
#325 sex bolts (6 places) recommended for aluminum door application.

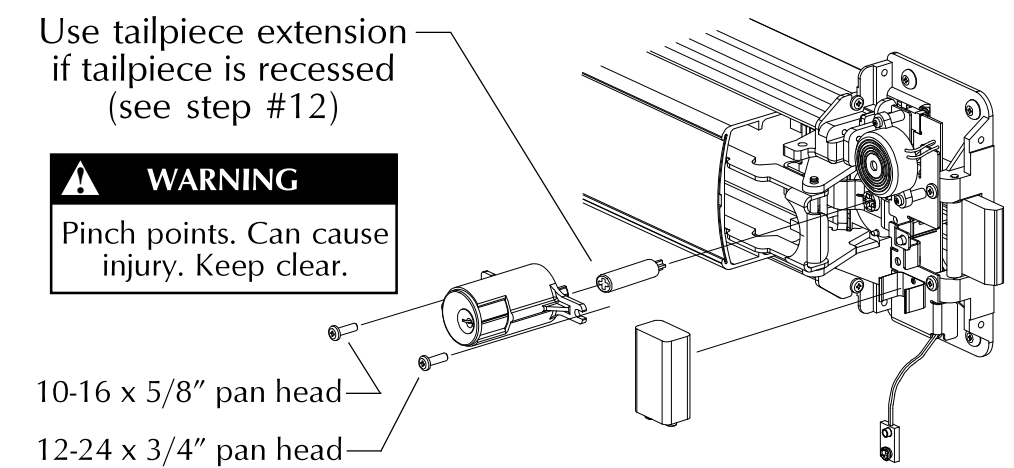


13 Use Phillips screwdriver to rotate cross slots inside center case so marks align.



STOP
If using PT790 Plug-in Transformer Option, refer to PT790 instructions before continuing with Step 14.

14 Install cylinder bracket and cylinder. Make sure cylinder tailpiece engages cross slot in center case. If tailpiece is recessed (see Step 12), use tailpiece extension. Make sure to install screws as shown. Install 9 volt battery and attach battery clip.

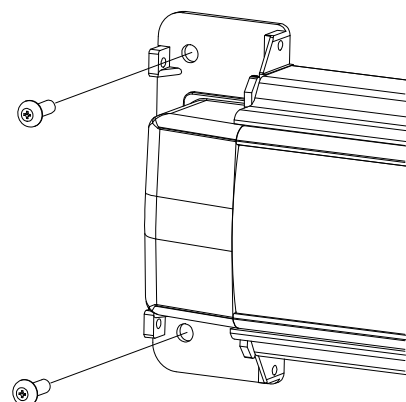


WARNING
Pinch points. Can cause injury. Keep clear.

7 **With device level, mark and drill hinge side mounting holes using device as template. Install hinge side mounting screws.**

Metal door:
#7 drill and 1/4-20 tap, inside only;
1/4-20 x 3/4" pan head machine screws

Wood door:
1/8" drill x 3/4" deep;
1/4-14 x 1" pan head sheet metal screws

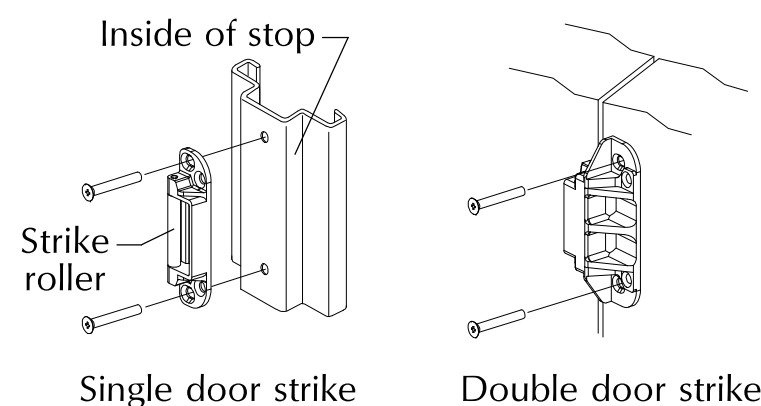


8 Install strike with two screws as shown.

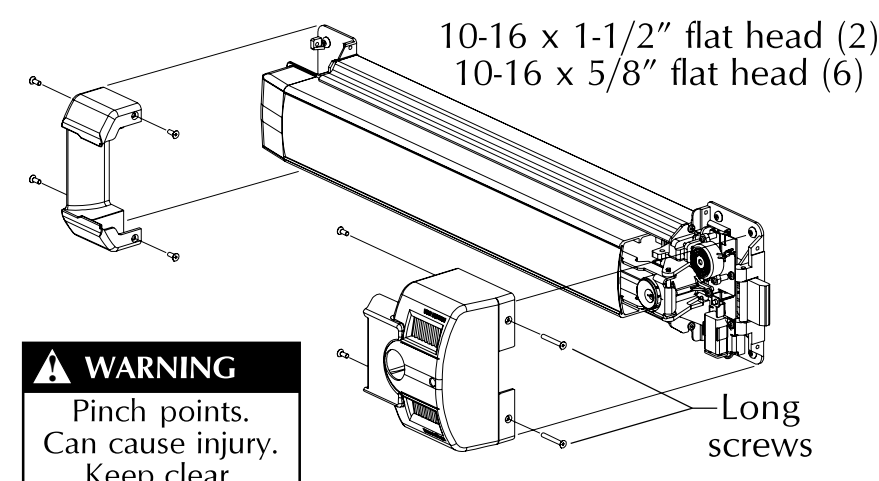
Metal frame/door: 1/4-20 x 1" flat head machine screws

Wood frame/door: 1/4-14 x 1-1/4" flat head sheet metal screws

STOP
If using PT790 Plug-in Transformer Option, refer to PT790 instructions before continuing with Step 9.

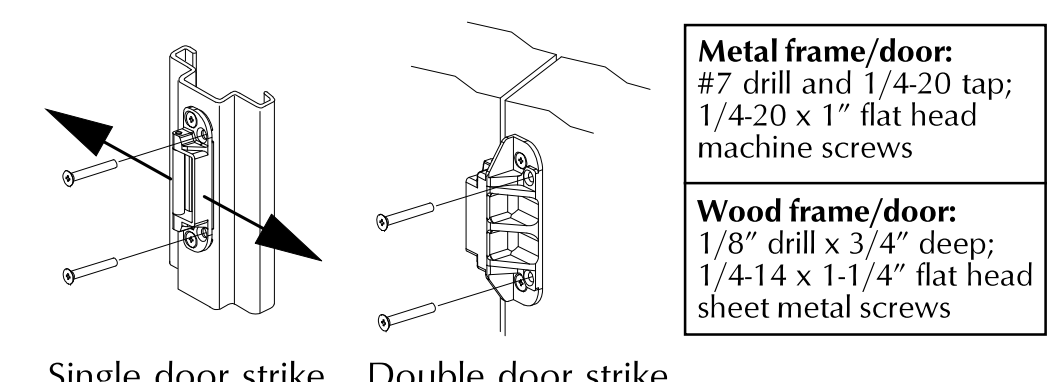


15 Install center case cover. **Use long screws where shown for tamper resistance.** Depress pushpad to install hinge side cover.



WARNING
Pinch points. Can cause injury. Keep clear.

16 Close door and turn key 360 degrees each way. If dead bolt binds in single door strike, adjust strike as shown. Tighten screws. Prepare lockdown holes and install two lockdown screws as shown. Test device (see "Testing" on back of "Parts List").



Metal frame/door:
#7 drill and 1/4-20 tap;
1/4-20 x 1" flat head machine screws

Wood frame/door:
1/8" drill x 3/4" deep;
1/4-14 x 1-1/4" flat head sheet metal screws